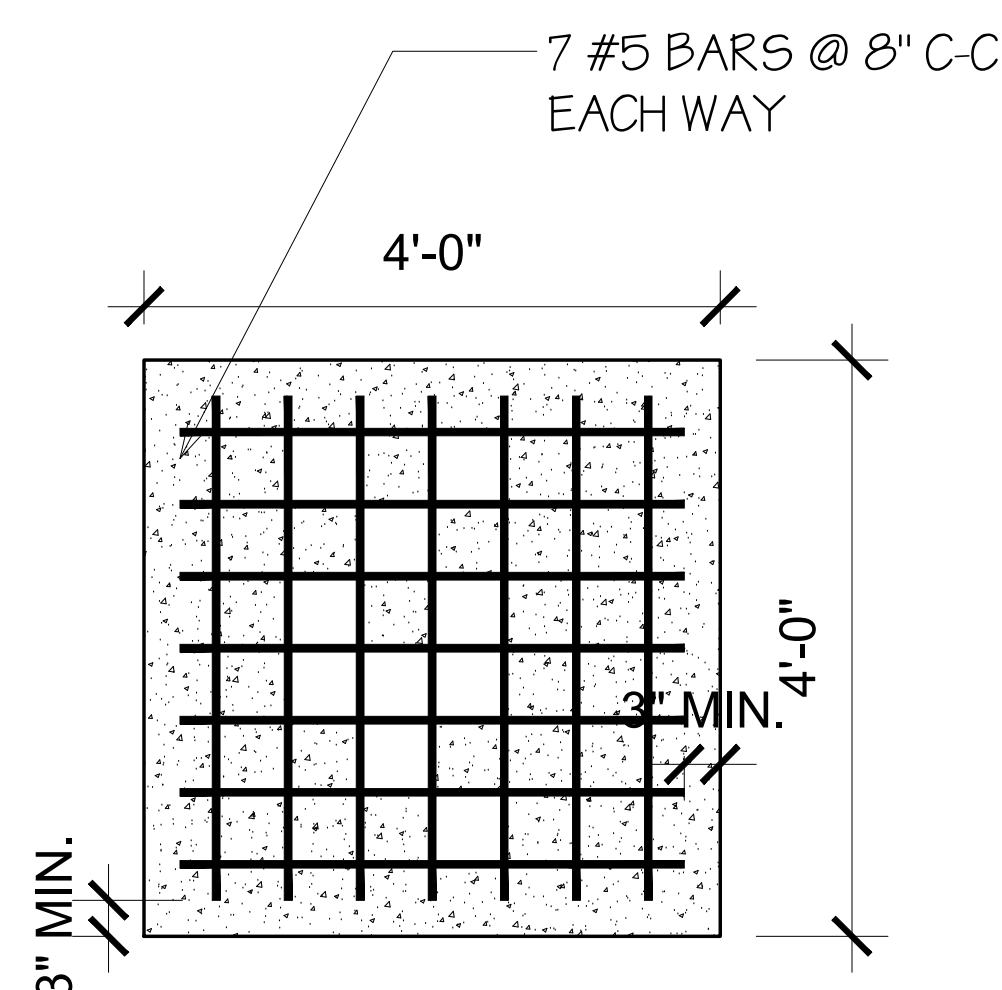
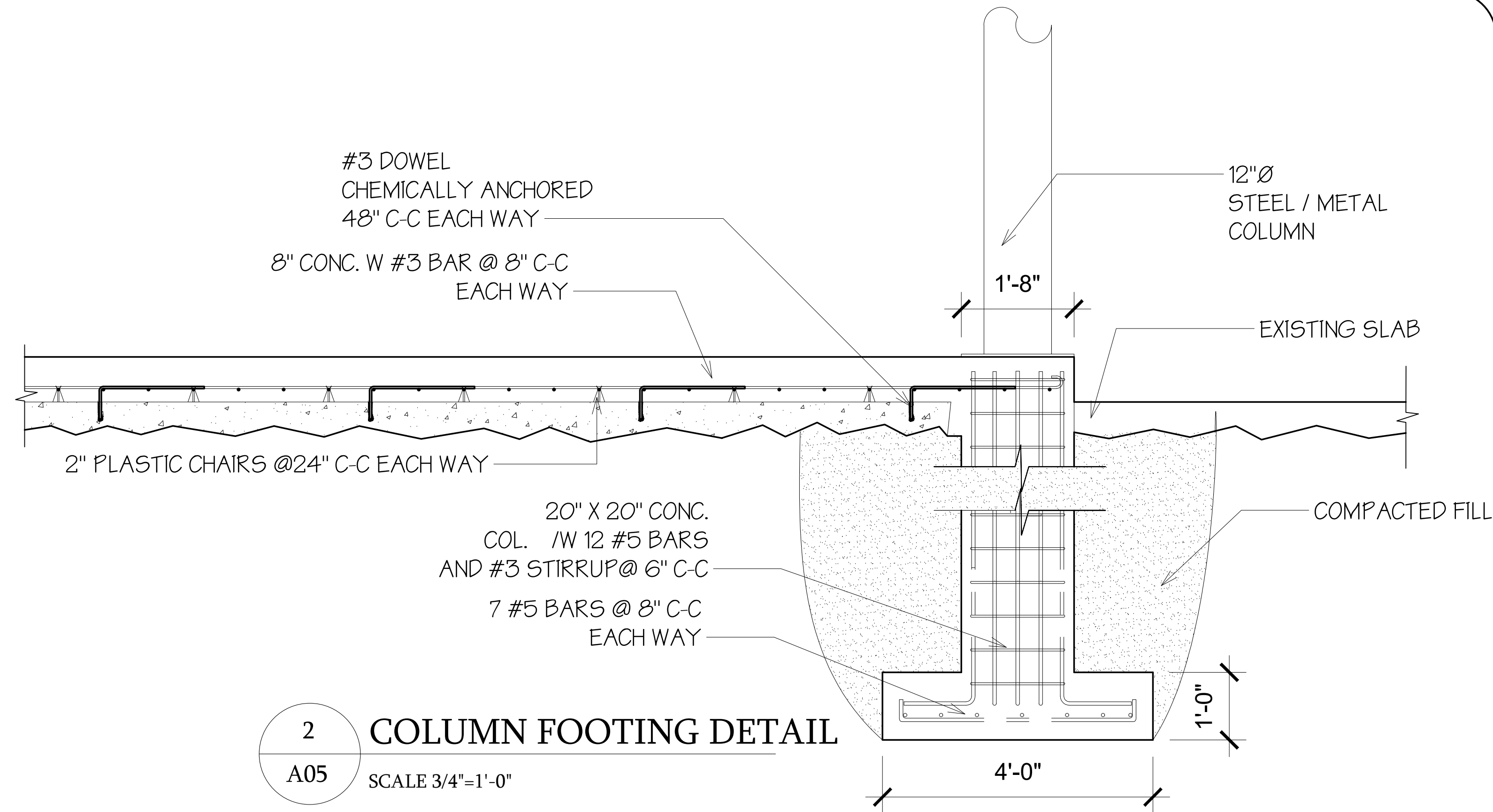


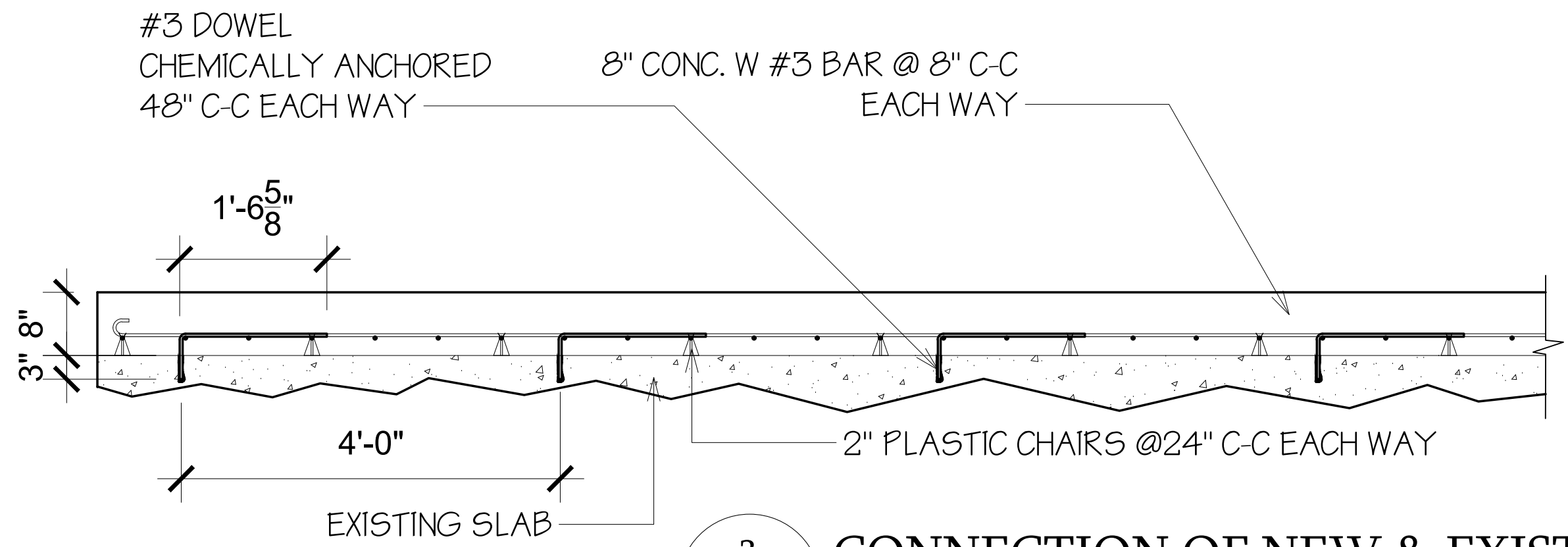
1 SLAB REINFORCEMENT PLAN
A05 SCALE 1/8"=1'-0"



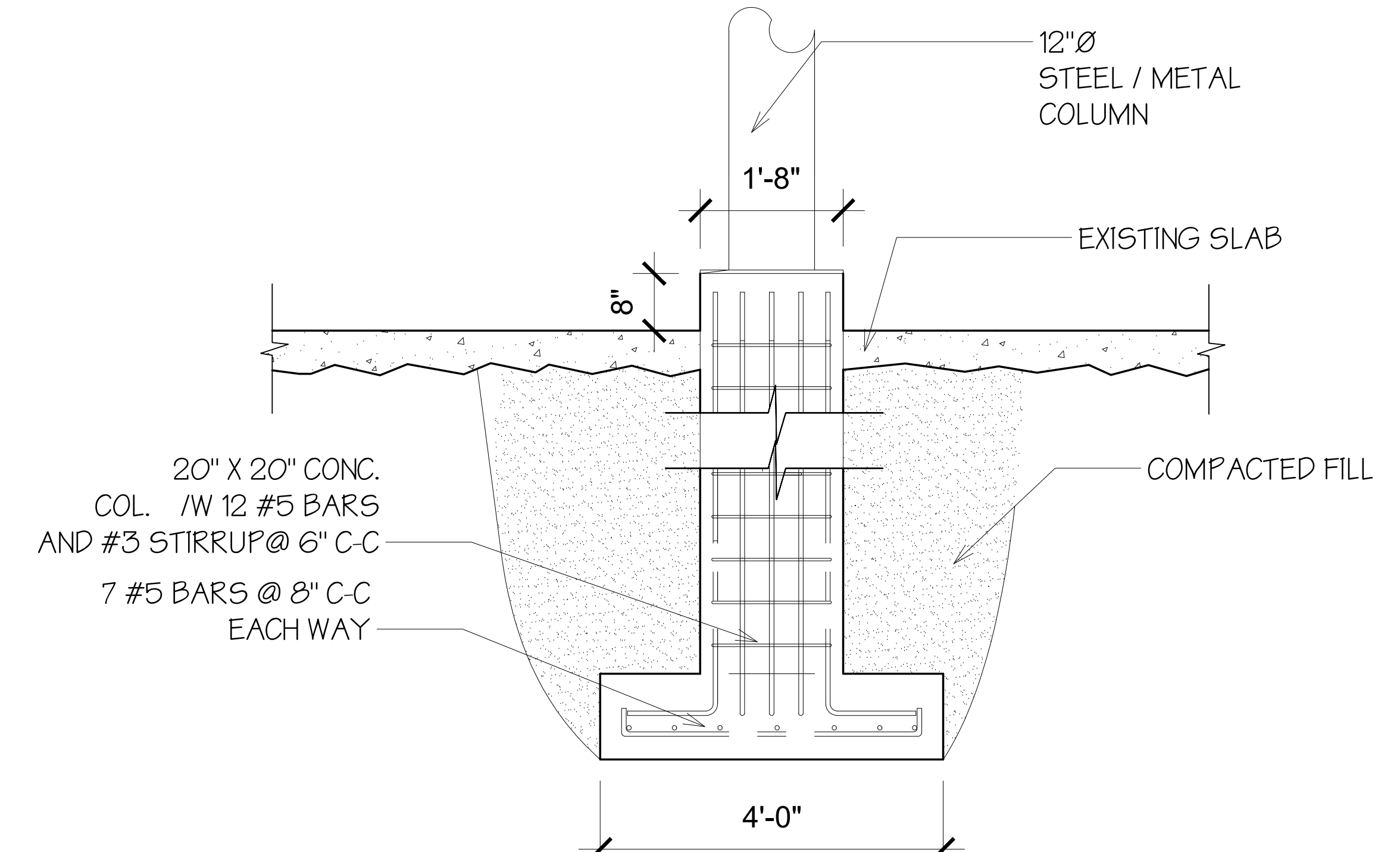
4 ATRIUM COLUMN FOOTING PAD DETAIL
A05 SCALE 3/4"=1'-0"



2 COLUMN FOOTING DETAIL
A05 SCALE 3/4"=1'-0"



3 CONNECTION OF NEW & EXISTING SLAB
A05 SCALE 3/4"=1'-0"



5 ATRIUM COLUMN FOOTING DETAIL
A05 SCALE 1/8"=1'-0"

These drawings are an instrument of service intended for this project only and should not be reproduced without written permission from the Architect © Steve W.C. Browne

STEVE W.C. BROWNE
CONSULTANT ARCHITECT
P.O. BOX W1511 CAMP SITE,
ST. JOHN'S ANTIGUA, W.I.
CELL (868) 442-3979
EMAIL: SWB.BROWNE@GMAIL.COM

SHEET NAME: **SLAB REINFORCEMENT PLAN AND DETAILS**

PROJECT NAME & LOCATION: **PROPOSED A-LEVEL BUILDING ST. ANTHONY'S SECONDARY SCHOOL**

REVISED DATE	BY
MARCH 2021	S.B.
APRIL 2021	S.B.
MAY 2021	S.B.
MAY 31, 2021	S.B.
JUNE 14, 2021	S.B.
DEC. 20, 2021	S.B.

DRAWN BY: DKAB
CHECKED BY: S.B.
DATE: DEC. 20, 2021
SCALE: AS SHOWN
SHEET No.:

A05